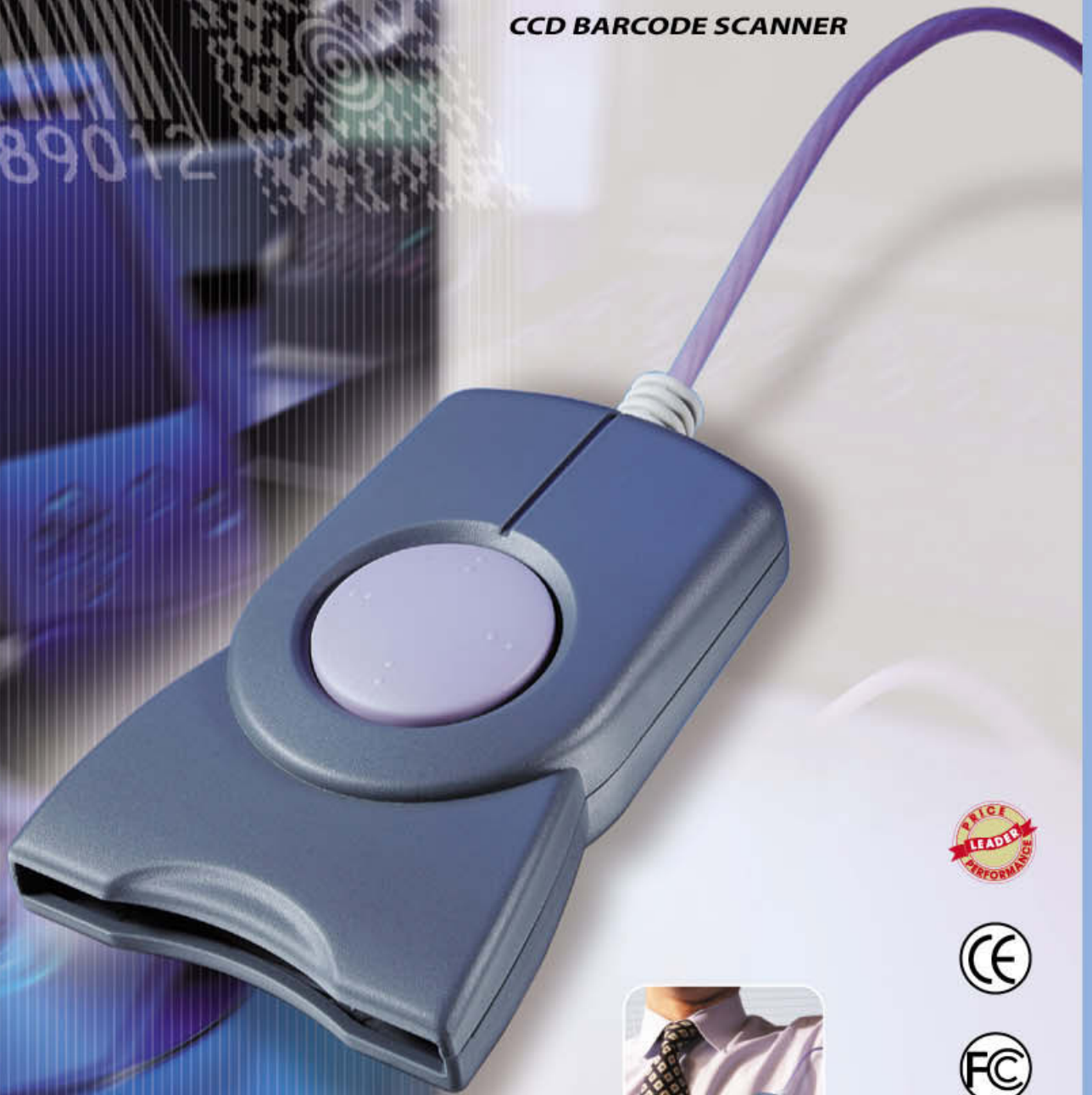


# MT13201

**ECONOMIC AND LOW POWER  
60mm CONTACT POCKET HANDHELD  
CCD BARCODE SCANNER**



**Cute and Slim**



Licensed in USA by  
Intermec / Morand



**Ez  
One  
Time  
Setting**



**Low  
Power**



**Ergonomic  
Design**



**Long  
Life  
30,000/  
hours  
MTBF**



**Fast  
Decoding**



**Notebook  
Compatible**



**Eyes  
Harmless**



**Support  
for  
Most  
popular  
barcode  
Symbologies**



**Low  
Cost**

# MT13201 Pocket Bar code Scanner Technical Specification



## PERFORMANCE

### Light Sources

660nm LED

### Sensor

2088 pixels CCD Arrays

### Depth Of Field

Contact to 10mm

### Best Resolution

0.1mm ( 4mil ),at contact

### PCS

0.6 ( Min )

### Scan Rate

45 scan/ second  
( Decoding Rate )

### Scanning width

55 mm (40mil)

### Sunlight

Approximately 5000  
Lux / Max

## MECHANICAL

### Dimensions

L96 x W63 X H20 mm

### Weight

120g  $\pm$  5g ( Without Cable ).

### Cable

1000 mm.

## ELECTRICAL

### Operating Voltage

5 VDC  $\pm$  5%

### Surge Power

< 800mA

## SYMBOLOGIES

UPC-E, UPC-A;EAN-8,EAN13,  
JAN, UCC/ EAN128 ISBN,

ISSN, Code 39, Code 93,

Code 128, Interleave 2 of 5,

MSI, Industrial 2 of 5,

Matrix 2 of 5, IATA 2 of 5,

China Post Code, Code

32, Codabar, ABC Codabar,

## ENVIRONMENTAL

### Operating Temperature

0° C to 50° C

### Storage Temperature

-20° C to 60° C

### Relative Humidity

0% to 95% non-condensing

### Mechanical Shock

6.06Ft (1.85m) Drop onto concrete.

### ESD Protection

Functional after 8KV discharge.

### Conformance

FCC class A and CE approval  
in progress.

## MODEL NUMBER & INTERFACES

### MT13221

RS232

### MT13231

Keyboard Wedge Emulation.

### MT13251

USB

## POWER CONSUMPTION

### MT13221

STANDBY CURRENT

32  $\pm$  5mA

WORKING CURRENT

45  $\pm$  10mA

### MT13231

STANDBY CURRENT

22  $\pm$  5mA

WORKING CURRENT

40  $\pm$  10mA

### MT13251

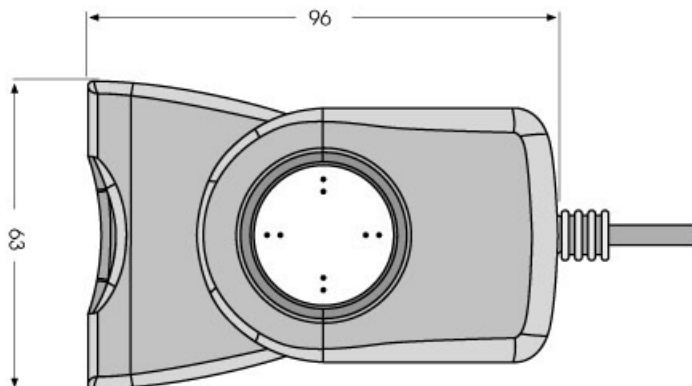
STANDBY CURRENT

43  $\pm$  5mA

WORKING CURRENT

55  $\pm$  10mA

## OUTER DIMENSIONS



UNIT : mm